

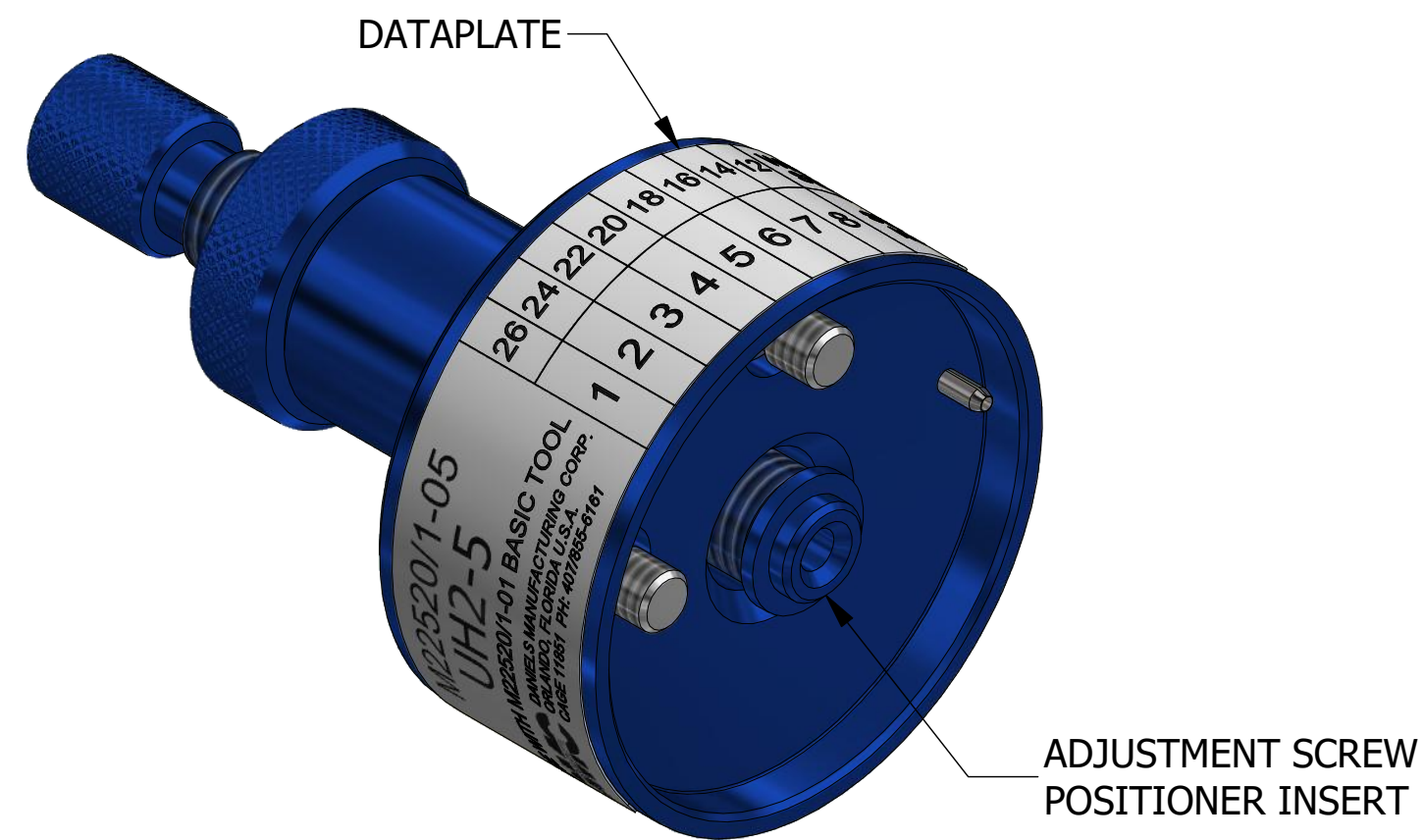
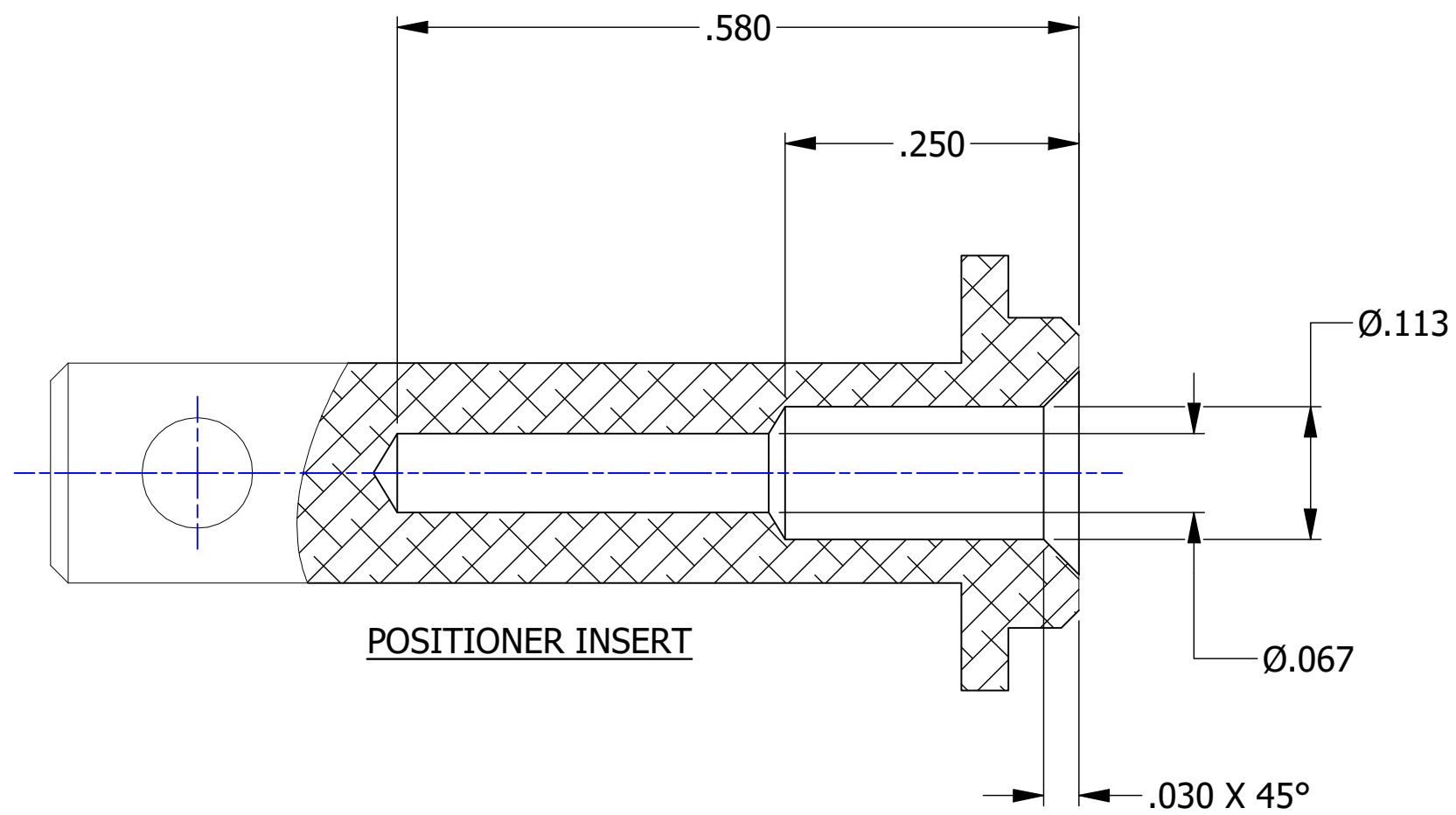
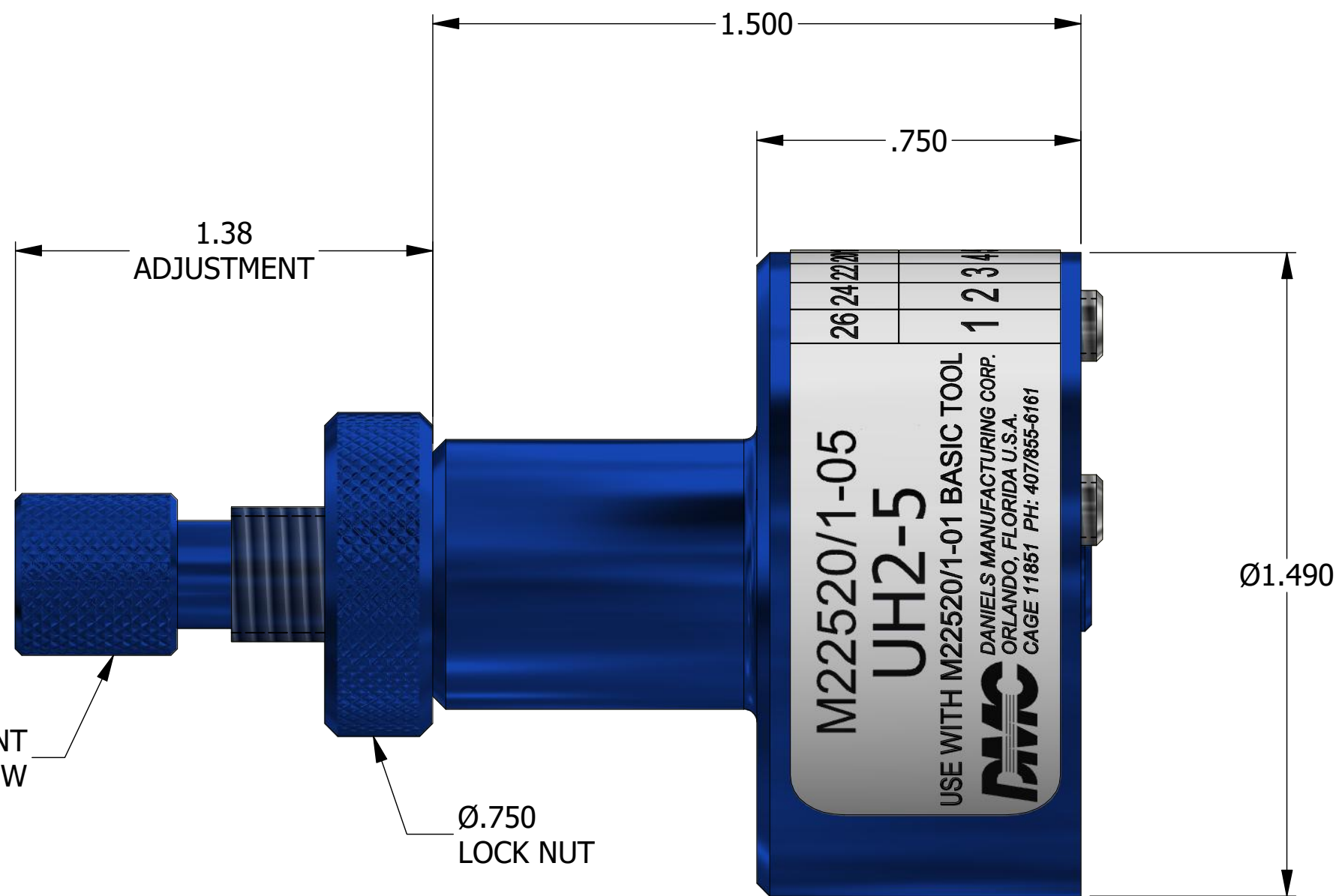
M22520/1-05
UH2-5

USE WITH M22520/1-01 BASIC TOOL

DMC DANIELS MANUFACTURING CORP.
ORLANDO, FLORIDA U.S.A.
CAGE 11851 PH: 407/855-6161

26	24	22	20	18	16	14	12	WIRE SIZE
1	2	3	4	5	6	7	8	SEL No.

DATAPLATE



REVISIONS						
REV	ECO NO.	DESCRIPTION	BY	DATE	APP'D BY	DATE
1		ORIGINAL RELEASE	J. SRAITON	6/24/1991	PD	6/24/1991
2		ADDED INSERT DIMENSIONS	AAM	2/16/2000	RRR	2/16/2000
3		REMOVED LOCATION HOLE	AAM	3/26/2002	RRR	3/26/2002
4	23573	UPDATED & REDRAWN	TonyD	2/20/2015		
5	25000	1.500 WAS 1.375 ADDED DATAPLATE	TonyD	7/22/2020		

UNCONTROLLED DOCUMENT
WILL NOT BE UPDATED

DIMENSIONS IN INCHES - UNLESS OTHERWISE SPECIFIED

RESTRICTED & CONFIDENTIAL

CONFIDENTIAL PROPERTY OF DANIELS MANUFACTURING CORP. NOT TO BE DISCLOSED TO OTHERS. REPRODUCTION OR USED FOR ANY OTHER PURPOSE EXCEPT AS AUTHORIZED IN WRITING BY DANIELS MANUFACTURING. MUST BE RETURNED TO DANIELS MANUFACTURING CORP. ON COMPLETION OF ORDER OR PURPOSES FOR WHICH LENT.

CREATED FROM AN INVENTOR MODEL.
CHANGES MUST BE REFLECTED IN THE 3D PART

DO NOT SCALE DRAWING

MATERIAL	ITEM	PART NO.	QTY.	DESCRIPTION / REMARKS
N/A	DRN. J. STRAITON CHK'D. DATE	DATE 6/24/1991		DMC DANIELS MANUFACTURING CORP. ORLANDO, FLORIDA CAGE 11851
HEAT TREAT N/A	NOTE: THIS DRAWING IS AN OUTLINE DRAWING OF THE RESPECTIVE DMC PART NUMBER INDICATED. ACTUAL DMC PART NUMBER IS CAD PART NUMBER WITHOUT THE "-ENV" SUFFIX		TITLE	UNIVERSAL HEAD (M22520/1-05) ENVELOPE DRAWING
FINISH N/A	WHERE USED: AF8	SIZE	SCALE	CAD P/N UH2-5-ENV SHEET 1 OF 1
	DWG. NO. UH2-5			REV. 5