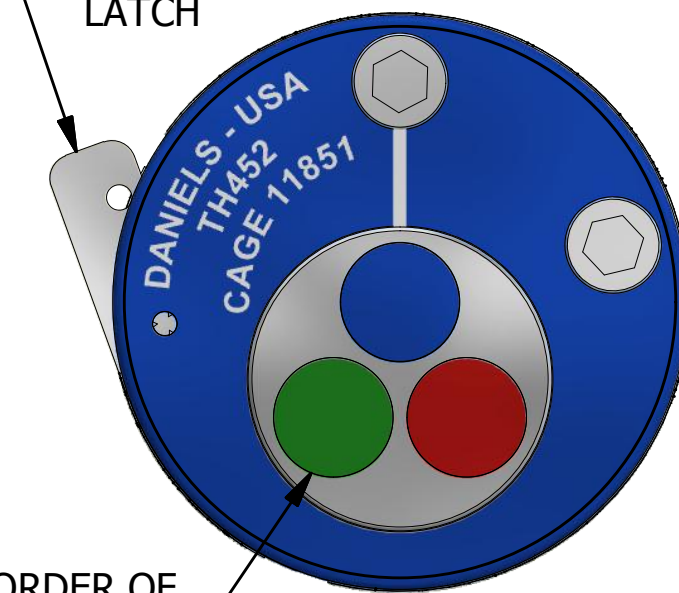


DATAPLATE

ITT CANNON		COLOR CODE	26	24	22	20	18	16	14	12	4mm ²	WIRE SIZE
15S/16S	030-8586-000 & -006	BLUE					6	7				SELECTOR NO.
	030-8586-010		4	5	6							
	330-8744-000 & -006				6	7						
	031-8555-110 & -115				6	7						
031-8688-110	GREEN											
031-8555-130		4	5	6								
030-8587-000 & -006				6	7							
330-8659-000				6	7							
030-8587-030 & -036	RED	4	5	6								
031-8556-110 & -115				6	7							
031-8639-120				6	7							
031-8556-130		4	5	6								
030-8588-000 & -006	RED						8	8				
030-8588-010 & -016						7	8		8	8		
030-8588-054											6	
031-8557-000 & -006									8	8		
031-8557-020 & -026							7	8		8		
031-8557-010											6	
031-8557-040				6	7							

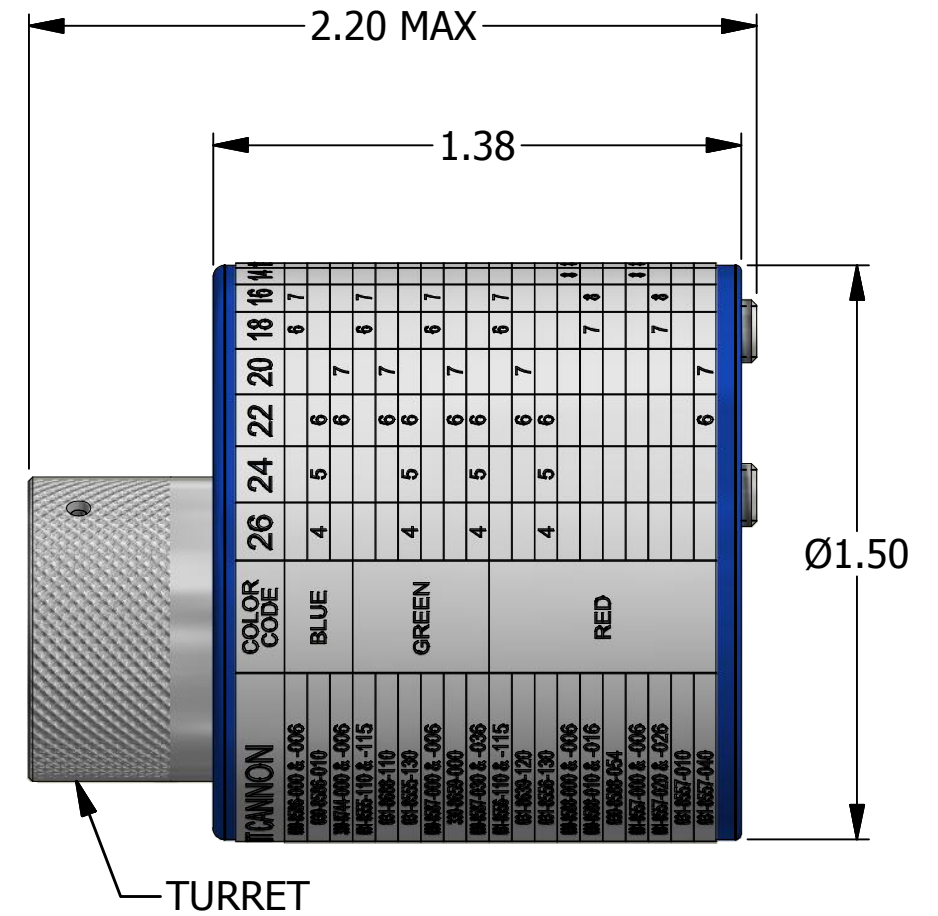
TURRET LATCH



RANDOM ORDER OF ROTATION IS ACCEPTABLE FOR POSITIONER INSERTS

**UNCONTROLLED DOCUMENT
WILL NOT BE UPDATED**

DIMENSIONS IN INCHES - UNLESS OTHERWISE SPECIFIED



INSERT COLOR	HOLE DIMENSIONS	ADDITIONAL FEATURES
BLUE	Ø.136 ▽.570	
GREEN	Ø.070 ▽.726	└┘Ø.136 ▽.645
RED	Ø.199 ▽.965	

REVISIONS						
REV	ECO NO.	DESCRIPTION	BY	DATE	APP'D BY	DATE
2	15214	ADDED CONTACT P/N'S	AAM	8/8/1996	RRR	8/8/1996
3	25500	REVISED DATAPLATE	TonyD	8/8/2018		

MATERIAL	ITEM	PART NO.	QTY.	DESCRIPTION / REMARKS
N/A	DRN. LME	DATE 12/30/1985		DANIELS MANUFACTURING CORP. ORLANDO, FLORIDA CAGE 11851
	CHK'D.	DATE		
RESTRICTED & CONFIDENTIAL	HEAT TREAT	N/A		NOTE: THIS DRAWING IS AN OUTLINE DRAWING OF THE RESPECTIVE DMC PART NUMBER INDICATED. ACTUAL DMC PART NUMBER IS CAD PART NUMBER WITHOUT THE "-ENV" SUFFIX
CONFIDENTIAL PROPERTY OF DANIELS MANUFACTURING CORP. NOT TO BE DISCLOSED TO OTHERS. REPRODUCTION OR USED FOR ANY OTHER PURPOSE EXCEPT AS AUTHORIZED IN WRITING BY DANIELS MANUFACTURING. MUST BE RETURNED TO DANIELS MANUFACTURING CORP. ON COMPLETION OF ORDER OR PURPOSES FOR WHICH LENT.	FINISH	N/A		TITLE: TURRET HEAD ENVELOPE DRAWING WHERE USED: AF8 SIZE: B SCALE: 2:1 SHEET: 1 OF 1 DWG. NO.: TH452 REV.: 3
CREATED FROM AN INVENTOR MODEL. CHANGES MUST BE REFLECTED IN THE 3D PART				
DO NOT SCALE DRAWING				