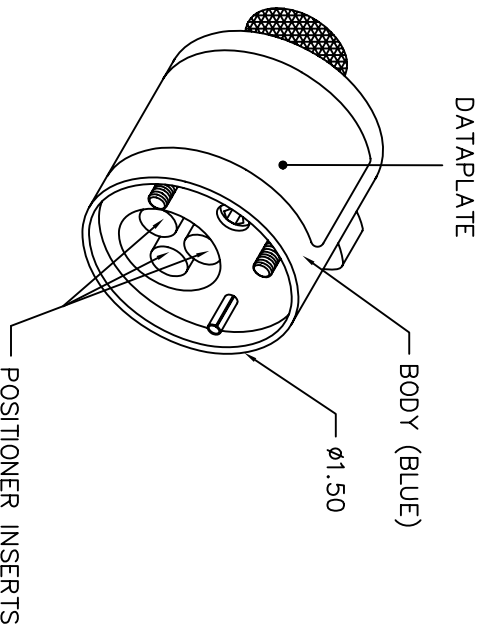
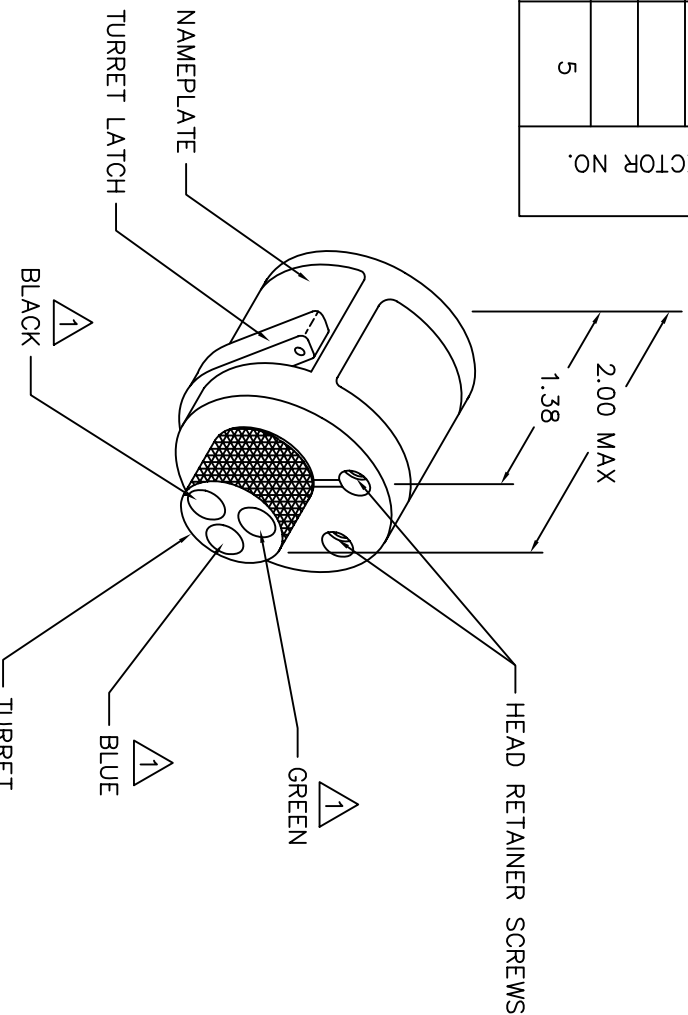


CONTACTS	COLOUR CODE	1/.4mm	7/.2mm	16/.2mm	24/.2mm	WIRE SIZE
BICC VERO	28	26	24	20	18/20	SELECTOR NO.
26 SIZE MALE & FEMALE	(STD. PIN) BLUE	1	2			
24 SIZE MALE & FEMALE	(SOCKET) GREEN			3		
22 SIZE MALE & FEMALE	(EARTH PIN) BLACK				4	
20 SIZE MALE & FEMALE						
16 SIZE MALE & FEMALE					5	



POSITIONER COLOR	HOLE DIMENSIONS	ADDITIONAL FEATURES
BLACK	∅.070 ∓.845 MIN.	□ ∅.147 ∓.295
GREEN	∅.106 ∓.405	□ ∅.147 ∓.275
BLUE	∅.070 ∓.717	□ ∅.147 ∓.452



REVISIONS			
REV.	E.C.O. NUMBER	DESCRIPTION	BY DATE
1		ORIGINAL RELEASE	DC 1-4-95
2		ADDED 28 & SEL 1	DC 10-11-08

**UNCONTROLLED DOCUMENT
WILL NOT BE UPDATED**

* HOLE AND COUNTERBORE DEPTHS ARE MEASURED FROM TOP OF POSITIONER INSERTS.

RESTRICTED & CONFIDENTIAL		CONFIDENTIAL PROPERTY OF DANIELS MANUFACTURING CORP. NOT TO BE DISCLOSED TO OTHERS, REPRODUCED OR USED FOR ANY OTHER PURPOSE, EXCEPT AS AUTHORIZED IN WRITING BY DANIELS MANUFACTURING CORP. ON COMPLETION OF ORDER OR OTHER PURPOSE FOR WHICH LENT.	
ITEM	PART NO.	QTY.	DESCRIPTION/REMARKS
DRWL	DC		DANIELS MANUFACTURING CORP. ORLANDO, FLORIDA CASE 11851
DATE	DATE		
1-4-95	1-4-95		
CHK'D.	DD		
DATE	DATE		
1-4-95	1-4-95		
APPR'D.	DATE		
DATE	DATE		
1-4-95	1-4-95		
NOTE: THIS DRAWING IS AN OUTLINE DRAWING OF THE RESPECTIVE INDIC PART NUMBER. INDIC PART NUMBER IS DRAWING NUMBER WITHOUT THE "-ENV" SUFFIX.			
WHERE USED: AFB		CAD P/N	SHEET 1 OF 1
SIZE SCALE		TH499-ENV	REV 1
POSTING		TH499-ENV	REV 2
DO NOT SCALE DRAWING			