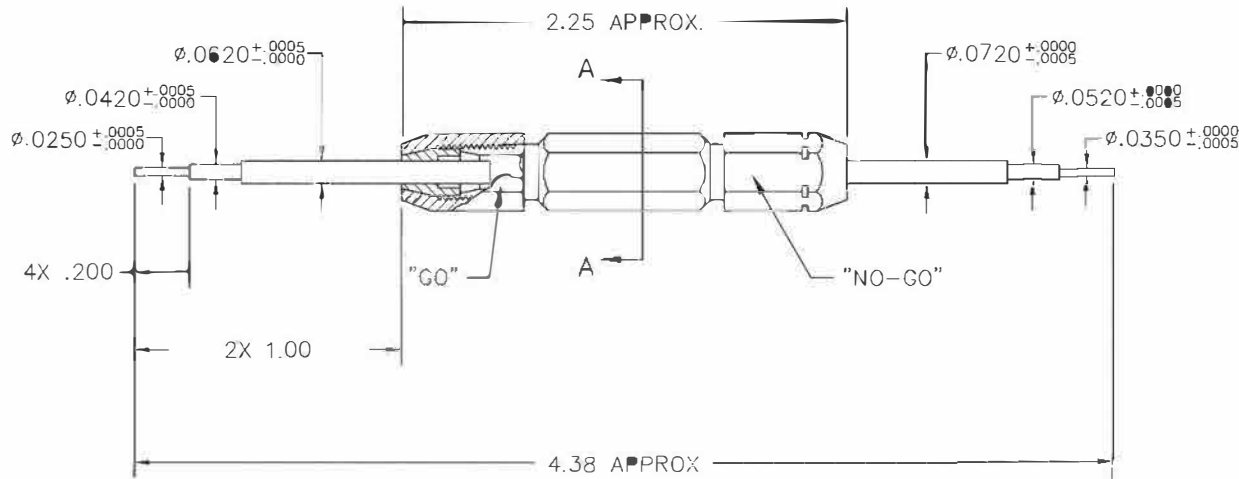



REVISIONS				
REV. SYM.	E.C.O. NUMBER	DESCRIPTION	BY DATE	APP'D DATE
1		ORIGINAL RELEASE	TS 5/8/86	DJR 5/9/86
2		REVISED GAGE PIN DIA'S	MCS 1/23/88	TS 1/25/88
3		ADDED "DO NOT CRIMP GAGE"	JWJ 9/24/01	RRR 9/24/01
4		ADDED MIL SPEC #'S	ENF 5-28-10	RRR 5-28-10
5		ADDED TOLERANCE TO GAGE PINS	TonyD 9-29-16	



**UNCONTROLLED DOCUMENT
WILL NOT BE UPDATED**
DIMENSIONS IN INCHES - UNLESS OTHERWISE SPECIFIED

RESTRICTED & CONFIDENTIAL CONFIDENTIAL PROPERTY OF DANIELS MANUFACTURING CORP. NOT TO BE DISCLOSED TO OTHERS, REPRODUCED OR USED FOR ANY OTHER PURPOSE, EXCEPT AS AUTHORIZED IN WRITING BY DANIELS MANUFACTURING. MUST BE RETURNED TO DANIELS MANUFACTURING CORP. ON COMPLETION OF ORDER OR OTHER PURPOSE FOR WHICH LENT.		MATERIAL	ITEM	PART NO.	QTY.	DESCRIPTION/REMARKS
HEAT TREAT	FINISH	DO NOT SCALE DRAWING	BRN.	TS	DATE	 DANIELS MANUFACTURING CORP. ORLANDO, FLORIDA CAGE 11851
			CHK'D.	MCS	DATE	
			APP'D.	DJR	DATE	TITLE GO/NO-GO GAGE M22520/39-01 ENVELOPE DRAWING
			APP'D.		DATE	WHERE USED: SIZE B SCALE NTS CAD P/N G411-ENV SHEET 1 OF 1 POSTING DWG. NO. G411 REV. 5
NOTE: THIS DRAWING IS AN OUTLINE DRAWING OF THE RESPECTIVE DMC PART NUMBER INDICATED. ACTUAL DMC PART NUMBER IS CAD PART NUMBER WITHOUT THE "-ENV" SUFFIX.						