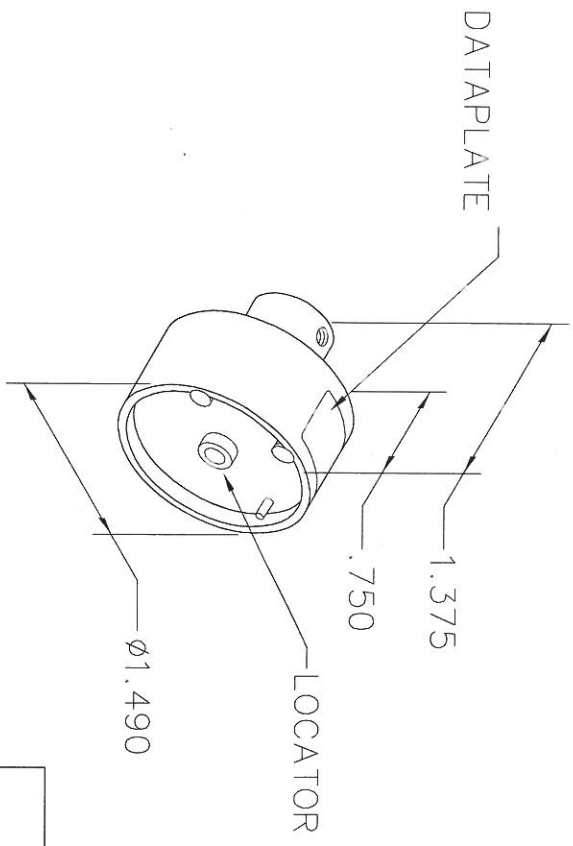


REVISIONS				
REV. SYM.	E.C.O. NUMBER	DESCRIPTION	BY DATE	APP'D DATE
1		ORIGINAL RELEASE	DH 2-11-88	TS 2-11-88
2		REDRAWN	AAM 3-17-00	RRR 3-17-00
3		CONTACT P/N'S WERE 900216 & 900196	AAM 12-11-00	RRR 12-11-00
4		Ø.290 THRU WAS Ø.290 X 1.21 DEEP	TonyD 7-18-16	



**UNCONTROLLED DOCUMENT  
WILL NOT BE UPDATED**

DIMENSIONS IN INCHES - UNLESS OTHERWISE SPECIFIED

SOCAPLEX SERIE LJT/SJT	TYPE CONTACT	12	10	8	WIRE SIZE
900217	F	1	3	4	SEL. NO.
900197	M	1	3	4	

USE WITH M300BT TOOL (M300-13)

DATAPLATE

LOCATOR	
HOLE DIMENSIONS	ADDITIONAL FEATURES
∅.290 ∇ THRU	┌┐ ∅.323 ∇.121

**RESTRICTED & CONFIDENTIAL**


CONFIDENTIAL PROPERTY OF DANIELS MANUFACTURING CORP. NOT TO BE DISCLOSED TO OTHERS, REPRODUCED OR USED FOR ANY OTHER PURPOSE, EXCEPT AS AUTHORIZED IN WRITING BY DANIELS MANUFACTURING. MUST BE RETURNED TO DANIELS MANUFACTURING CORP. ON COMPLETION OF ORDER OR OTHER PURPOSE FOR WHICH LENT.

DO NOT SCALE DRAWING

DRN.	DH	DATE	2-11-88
CHK'D.	TS	DATE	2-11-88
APP'D.	AAM	DATE	2-11-88
APP'D.		DATE	

NOTE: THIS DRAWING IS AN OUTLINE DRAWING OF THE RESPECTIVE DMG PART NUMBER INDICATED. ACTUAL DMG PART NUMBER IS DRAWING NUMBER WITHOUT THE "-ENV" SUFFIX.

WHERE USED: M300-13


**DANIELS MANUFACTURING CORP.**  
 ORLANDO, FLORIDA  
 CAGE 11851

**ENVELOPE DRAWING**  
**SINGLE POSITION HEAD**

SIZE	SCALE	CAD P/N	SHEET	OF
A	NTS	SP593-ENV	1	1

POSTING

DWG. NO.	REV.
SP593-ENV	4