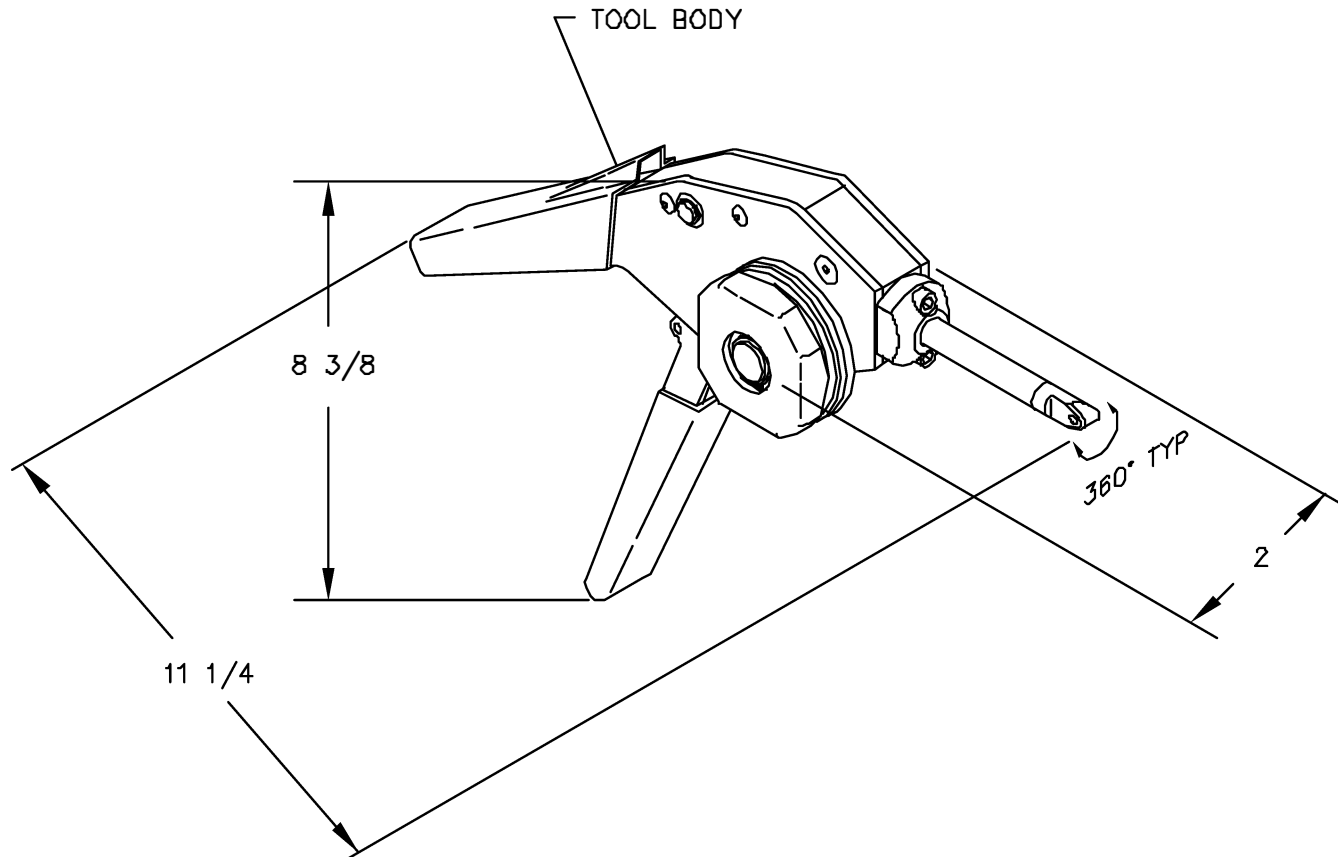


**UNCONTROLLED DOCUMENT
WILL NOT BE UPDATED**


REVISIONS				
REV. SYM.	E.C.O. NUMBER	DESCRIPTION	BY DATE	APP'D DATE
1		ORIGINAL RELEASE	JWJ 6/16/99	RRR 6/16/99



RESTRICTED & CONFIDENTIAL

CONFIDENTIAL PROPERTY OF DANIELS MANUFACTURING CORP. NOT TO BE DISCLOSED TO OTHERS, REPRODUCED OR USED FOR ANY OTHER PURPOSE, EXCEPT AS AUTHORIZED IN WRITING BY DANIELS MANUFACTURING. MUST BE RETURNED TO DANIELS MANUFACTURING CORP. ON COMPLETION OF ORDER OR OTHER PURPOSE FOR WHICH LENT.

DO NOT SCALE DRAWING

MATERIAL	ITEM	PART NO.	QTY.	DESCRIPTION/REMARKS
HEAT TREAT	DRN.	J. JOYCE	DATE	 DANIELS MANUFACTURING CORP. ORLANDO, FLORIDA GAGE 11851
	CHK'D.	RRR	DATE	
FINISH	APP'D.		DATE	TITLE ADJUSTABLE SAFE-T-CABLE [®] APPLICATION TOOL Ø.032 WITH 3" NOSE WHERE USED: ENVELOPE DRAWING
	APP'D.		DATE	
	SIZE	SCALE	CAD P/N	SHEET OF
	A	NTS	SCTR323-ENV	1 1
	POSTING		P/N	REV.
			SCTR323-ENV	1