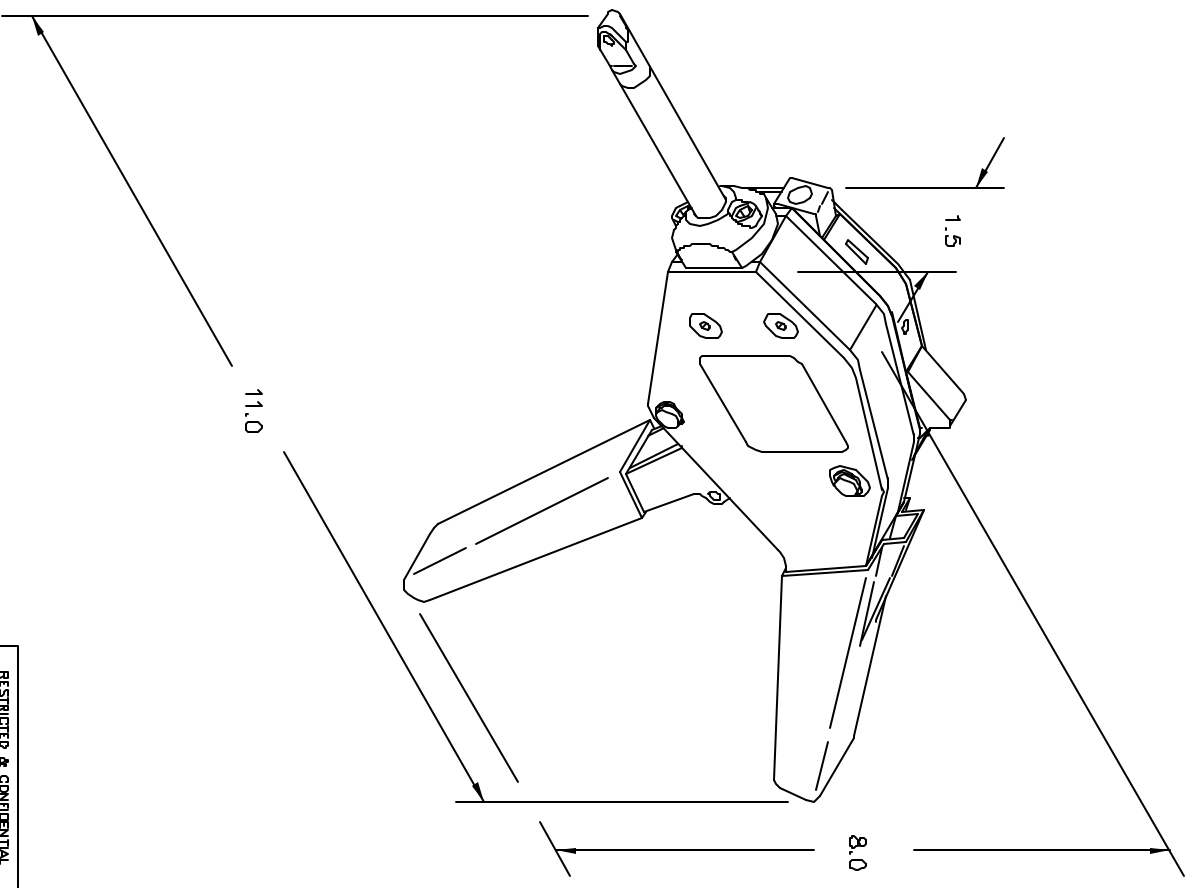


REV	DATE	DESCRIPTION	BY	DATE	ASST	DATE
1		ORIGINAL RELEASE	10/21/84	10/84		



**UNCONTROLLED DOCUMENT
WILL NOT BE UPDATED**

RESTRICTED & CONFIDENTIAL UNCONTROLLED INFORMATION IS NOT TO BE DISCLOSED TO OTHERS, REPRODUCED OR USED FOR ANY OTHER PURPOSES WITHOUT THE WRITTEN PERMISSION OF DANIEL'S MANUFACTURING. THIS DRAWING MUST BE RETURNED TO DANIEL'S MANUFACTURING OR OTHER SOURCE FOR WHICH IDENTIFIED.		MATERIAL		ITEM		PART NO.		QTY.		DESCRIPTION/REMARKS	
		HEAT TREAT		DATE		DATE		DATE		DATE	
DO NOT SCALE DRAWING		FINISH		APPRO. BY		DATE		DATE		DATE	
		TITLE		SCALE		DATE		DATE		DATE	
		DANIEL'S MANUFACTURING CORP. DANIEL'S MANUFACTURING CORP. P.O. BOX 11851		SC1323-ENV		SC1323-ENV		SC1323-ENV		SC1323-ENV	
		SAFE-T-CABLE APPLICATION TOOL, .032 3" NOSE		1/8" DIA		1/8" DIA		1/8" DIA		1/8" DIA	
		FORMING		FORMING		FORMING		FORMING		FORMING	
		1		1		1		1		1	