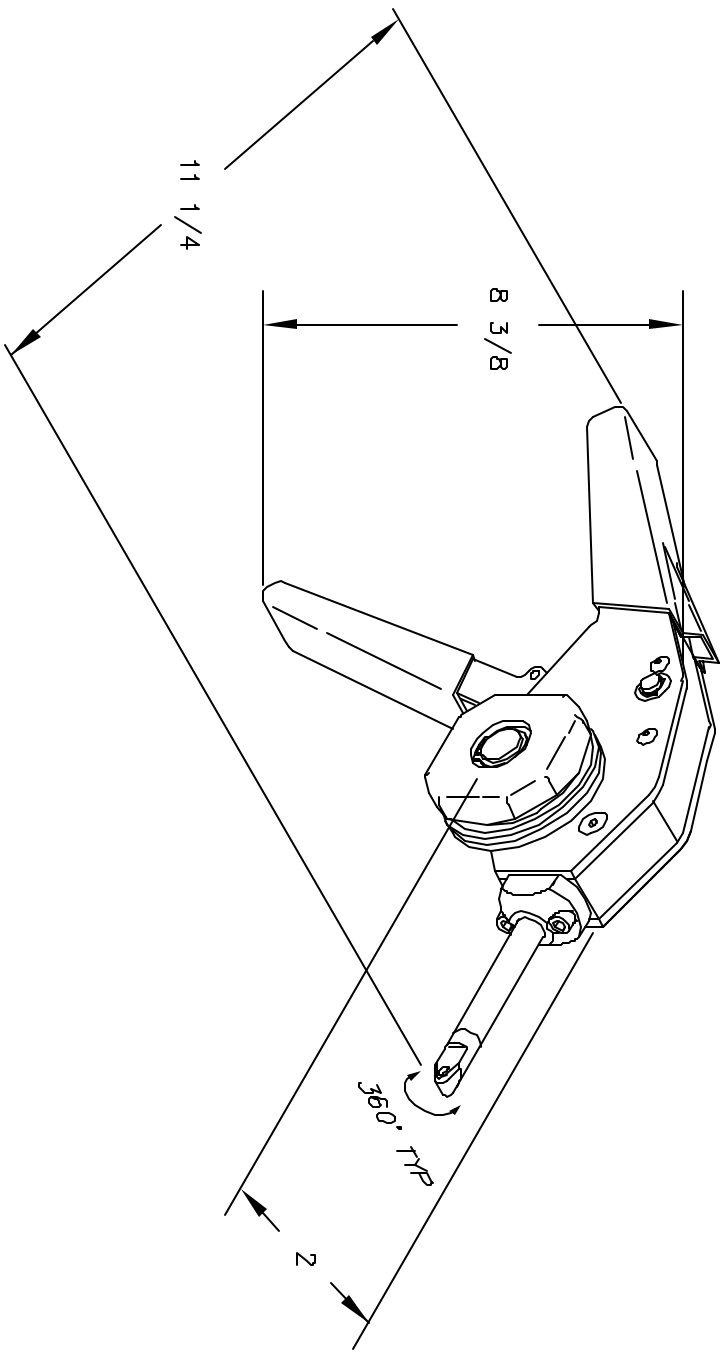


REVISIONS					
REV. STM.	E.C.O. NUMBER	DESCRIPTION	BY DATE	APP'D DATE	
1		ORIGINAL RELEASE	JML 3/25/00	RRR 3/25/00	

**UNCONTROLLED DOCUMENT
WILL NOT BE UPDATED**



RESTRICTED & CONFIDENTIAL CONFIDENTIAL PROPERTY OF DANIELS MANUFACTURING CORP. NOT TO BE DISCLOSED TO OTHERS. REPRODUCED OR USED FOR ANY OTHER PURPOSE, EXCEPT AS AUTHORIZED IN WRITING BY DANIELS MANUFACTURING. MUST BE RETURNED TO DANIELS MANUFACTURING CORP. ON COMPLETION OF ORDER OR OTHER PURPOSE FOR WHICH LENT.		MATERIAL		ITEM		PART NO.		QTY.		DESCRIPTION/REMARKS	
		HEAT TREAT		DRN.	J. JOYCE	DATE	3/25/00	CHK'D.	RRR	DATE	3/25/00
FINISH		APPT'D.		DATE		TITLE		ADJUSTABLE SAFETY CABLE APPLICATION TOOL Ø.020 WITH 3" NOSE WHERE USED: ENVELOPE DRAWING			

DO NOT SCALE DRAWING				SIZE	A	SCALE	NTS	GAD P/N	SCTR203-ENV	SHEET	1	OF	1
				POSTING				P/N	SCTR203-ENV	REV.	1		