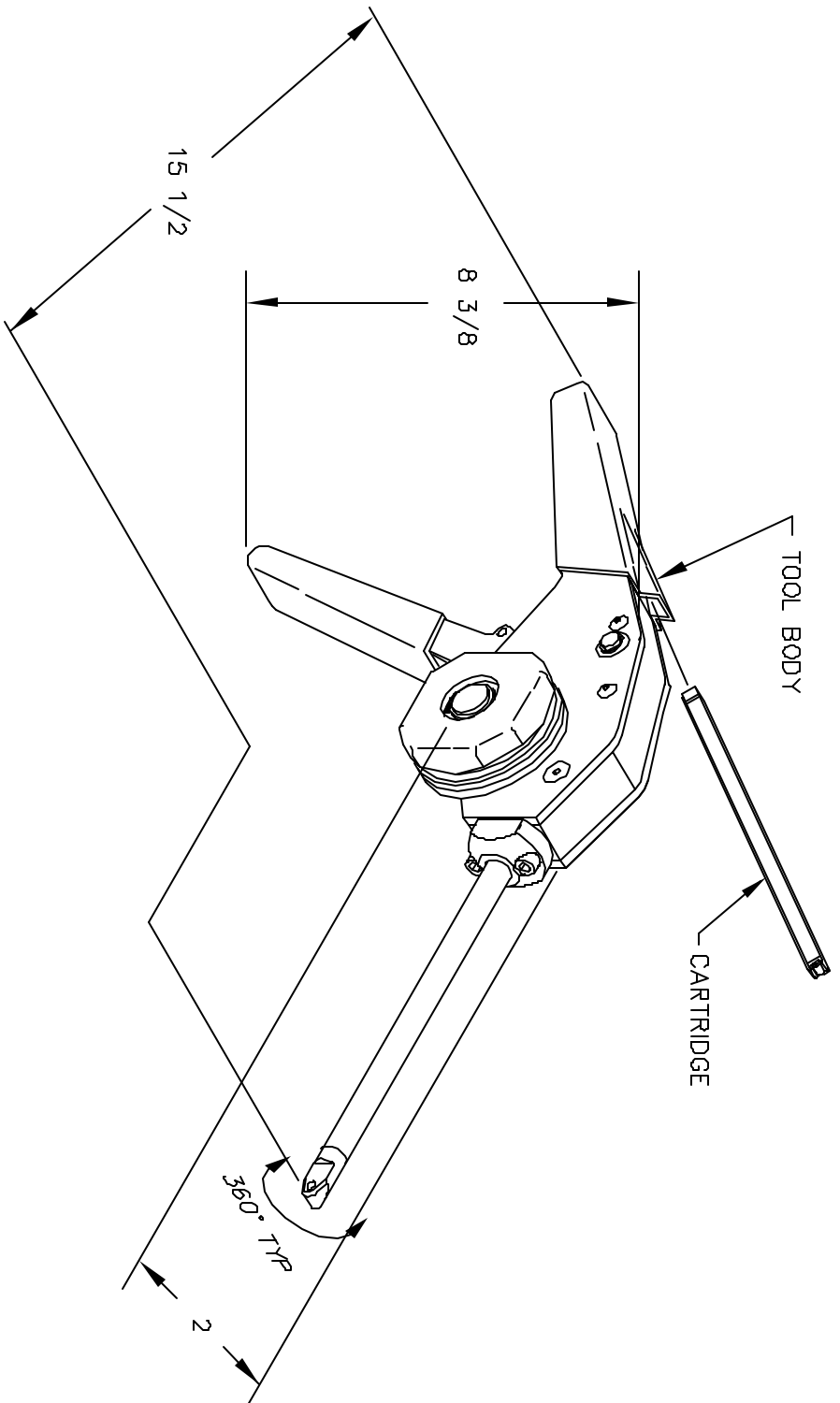


**UNCONTROLLED DOCUMENT  
WILL NOT BE UPDATED**


REVISIONS		REV. SYM.	E.C.O. NUMBER	DESCRIPTION	BY DATE	APP'D DATE
1				ORIGINAL RELEASE	JMU 10/18/99	RRR 10/18/99



**RESTRICTED & CONFIDENTIAL**  
 CONFIDENTIAL PROPERTY OF DANIEL'S MANUFACTURING CORP. NOT TO BE DISCLOSED TO OTHERS, REPRODUCED OR USED FOR ANY OTHER PURPOSE, EXCEPT AS AUTHORIZED IN WRITING BY DANIEL'S MANUFACTURING. MUST BE RETURNED TO DANIEL'S MANUFACTURING CORP. ON COMPLETION OF ORDER OR OTHER PURPOSE FOR WHICH LENT.

MATERIAL	
HEAT TREAT	
FINISH	

ITEM	PART NO.	QTY.	DESCRIPTION/REMARKS
DRN. J. JOYCE	10/18/99		
CHK'D. RRR	10/18/98		
APP'D.	DATE		
APP'D.	DATE		

 <b>DANIEL'S MANUFACTURING CORP.</b> ORLANDO, FLORIDA CAGE 11851	
<b>TITLE</b> ADJUSTABLE SAFETY CABLE APPLICATION TOOL Ø.032 W/7" LOW PROFILE NOSE WHERE USED: ENVELOPE DRAWING	
SIZE	SCALE
A	NTS
POSTING	

DO NOT SCALE DRAWING	REV. 1
	SHEET 1 OF 1
	P/N SCTR327L-ENV
	REV. 1