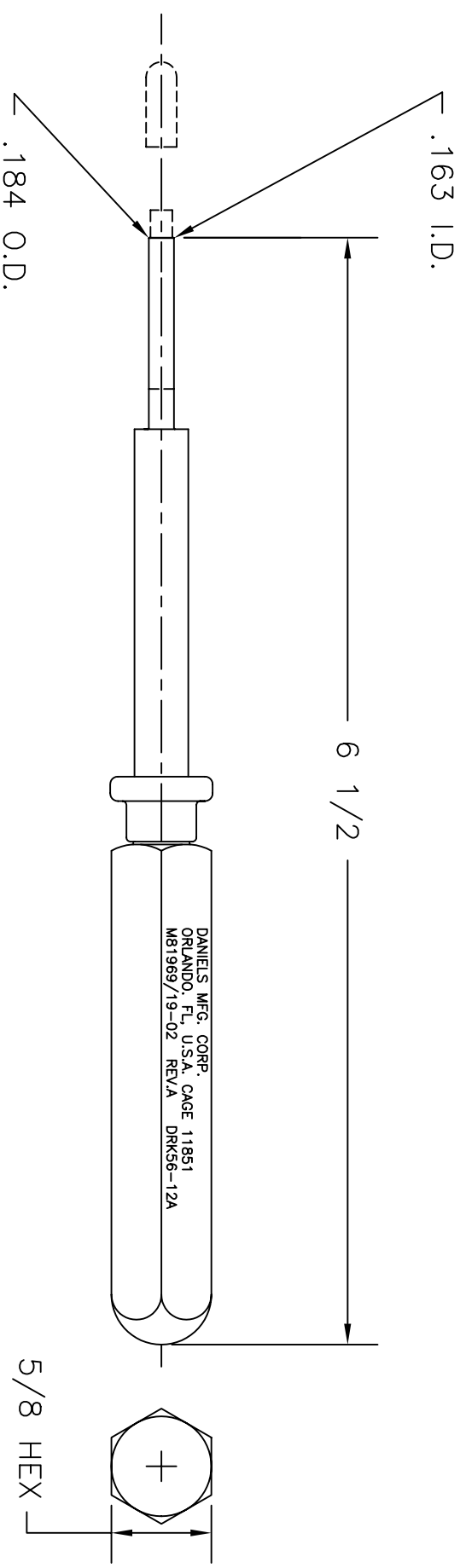


REVISIONS				
REV. SYM.	E.C.O. NUMBER	DESCRIPTION	BY DATE	APP'D DATE
1		ORIGINAL RELEASE	JS 7/24/85	RRR 7/25/85

**UNCONTROLLED DOCUMENT
WILL NOT BE UPDATED**



RESTRICTED & CONFIDENTIAL

CONFIDENTIAL PROPERTY OF DANIELS MANUFACTURING CORP. NOT TO BE DISCLOSED TO OTHERS, REPRODUCED OR USED FOR ANY OTHER PURPOSE, EXCEPT AS AUTHORIZED IN WRITING BY DANIELS MANUFACTURING. MUST BE RETURNED TO DANIELS MANUFACTURING CORP. ON COMPLETION OF ORDER OR OTHER PURPOSE FOR WHICH LENT.

MATERIAL		ITEM		PART NO.		QTY.		DESCRIPTION/REMARKS	
HEAT TREAT		DRN.	JS	DATE	7/24/85			DANIELS MANUFACTURING CORP. ORLANDO, FLORIDA CAGE 11851	
		GK'D.	TK	DATE	7/24/85				
FINISH		APP'D.	RRR	DATE	7/24/85			TITLE REMOVAL TOOL #12 ENVELOPE DRAWING WHERE USED: (M81969/19-02 REV. A)	
		APP'D.		DATE					
NOTE: THIS DRAWING IS AN OUTLINE DRAWING OF THE RESPECTIVE DMC PART NUMBER INDICATED. ACTUAL DMC PART NUMBER IS DRAWING NUMBER WITHOUT THE "-ENV" SUFFIX.									
		SIZE	A	SCALE	NTS	CAD P/N	DRK56-12A-ENV	SHEET	1 OF 1
		POSTING				DWG. NO.	DRK56-12A-ENV	REV.	1

DO NOT SCALE DRAWING